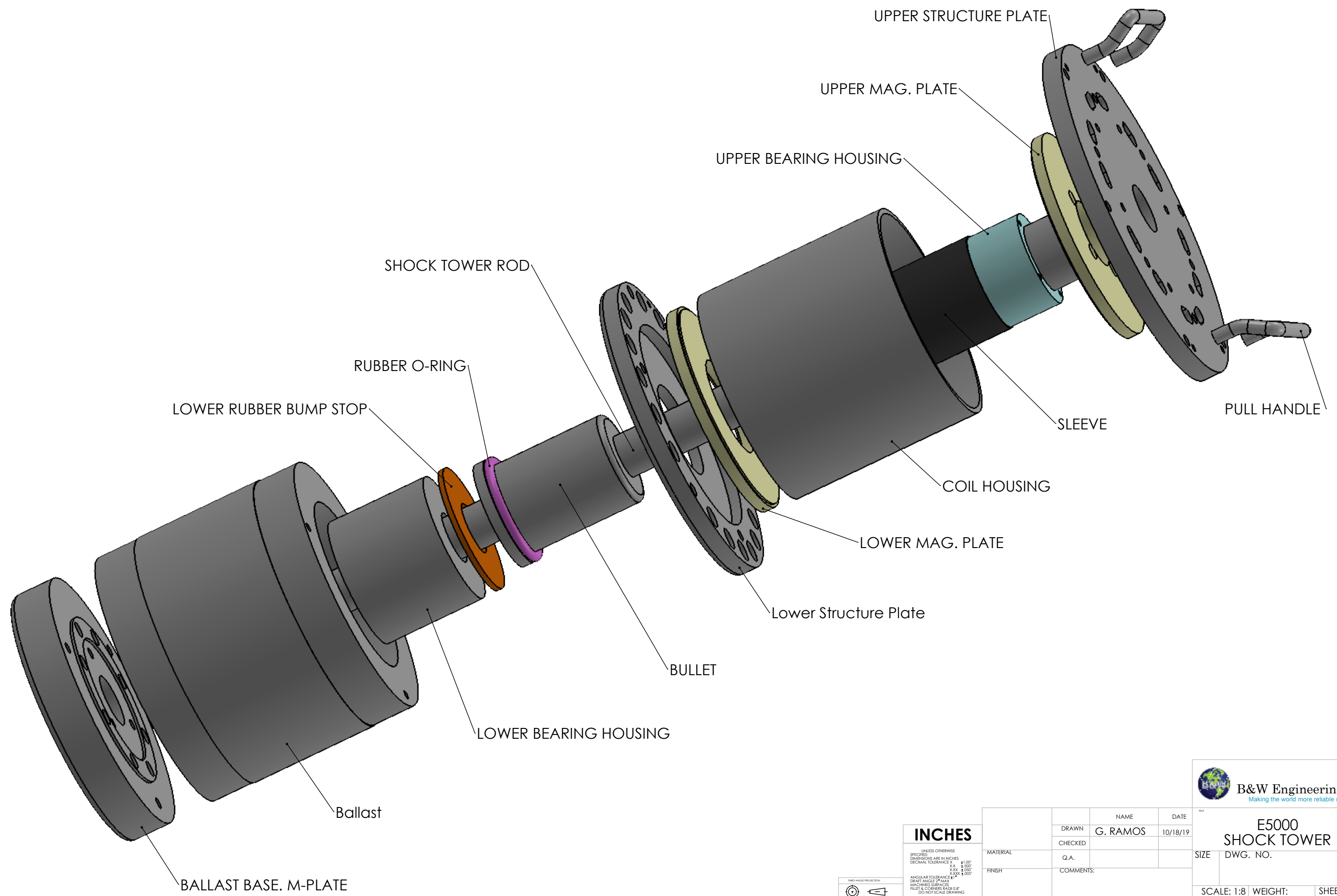


THIS DOCUMENT CONTAINS INFORMATION PROPRIETARY TO B&W ENGINEERING. ANY REPRODUCTION, DISCLOSURE, USE OF THIS DOCUMENT, OR ANY INFORMATION CONTAINED THEREIN, IS EXPRESSLY PROHIBITED EXCEPT AS B&W ENGINEERING, MAY OTHERWISE AGREE IN WRITING.



INCHES

UNLESS OTHERWISE SPECIFIED:
 DIMENSIONS ARE IN INCHES
 DECIMAL TOLERANCES:
 .XX ±.005"
 .XXX ±.002"
 .XXXX ±.001"
 ANGULAR TOLERANCE: ±1°
 DRAFT ANGLE: 2° MAX
 MACHINED SURFACES:
 FILLET & CORNERS: RAGGED
 DO NOT SCALE DRAWING

	NAME	DATE
DRAWN	G. RAMOS	10/18/19
CHECKED		
Q.A.		
FINISH	COMMENTS:	

E5000 SHOCK TOWER		
SIZE	DWG. NO.	REV
SCALE: 1:8	WEIGHT:	SHEET 1 OF 1